



# HF-Matchbox Blue

## HF-M BLUE 124 SH TL/TL5/PL-L 230-240V

HF-Matchbox Blue is an affordable, reliable, compact, lightweight and high-frequency ballast for use with system wattages below 25 W in combination with TL mini, TL-D, TL5 and TL5c, PL-T/C, and PL-L/S lamps. The HF-M Blue range has a robust design, meets all relevant international safety and performance standards and has an energy efficiency index (CELMA EEI ) of A2. The ballast is primarily designed for Indoor application. For outdoor application, the luminaire should be minimum Classland need to be sufficiently protected against water & dust. The installation should also be guard against any lightening surge or any other necessary electrical protection as deemed in such typical installation & application.

### Product data

Operating and Electrical	
Input Voltage	230 to 240 V
Line Frequency	50 to 60 Hz
Input Frequency	50 to 60 Hz
Number of Products on MCB (16A Type B) (Nom)	60
Wiring	
Connector Type Input Terminals	Insert
Color Input Terminals	Orange
Color Output Terminals	Grey
Connector Type Output Terminals	Insert
Cable Length From Device to Lamp	1.50 m
Temperature	
Ambient temperature range	-10 °C to 40 °C
T-Case Maximum (Max)	75 °C

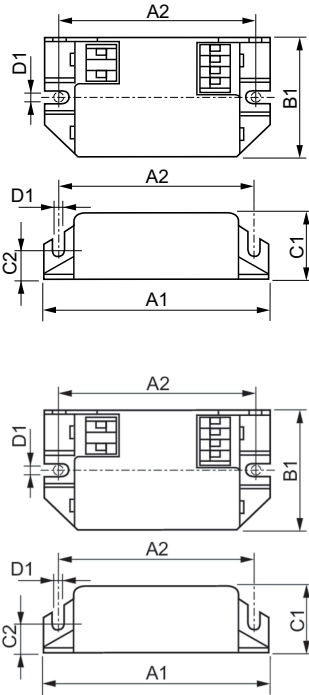
Mechanical and Housing	
Housing	SH
Approval and Application	
Ingress protection code	IP20 [Finger-protected]
Approval Marks	F-Marking CE marking VDE certificate CB Certificate
Product Data	
Order product name	HF-M BLUE 124 SH TL/TL5/PL-L 230-240V
Full product name	HF-M BLUE 124 SH TL/TL5/PL-L 230-240V
Full product code	871150053638930
Order code	913700417966
Material Nr. (12NC)	913700417966
Numerator - Quantity Per Pack	1
Net Weight (Piece)	0.040 kg
EAN/UPC - Product/Case	8711500536389
Numerator - Packs per outer box	50

# HF-Matchbox Blue

EAN/UPC - Case

8711500536396

## Dimensional drawing



### Product

HF-M BLUE 124 SH TL/TL5/PL-L 230-240V

### Product

	A1	A2	B1	C1	D1
HF-M BLUE 124 SH TL/TL5/PL-L 230-240V	94 mm	84 mm	40 mm	22 mm	4.4 mm

