

# PrimaVision Compact for CDM

## HID-PV C 70 /S CDM 220-240V 50/60Hz NG

High-quality, compact and lightweight HID electronic gear for optimal and reliable performance of 20, 35, 50 and 70 W CDM lamps

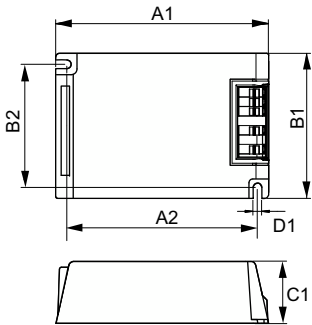
### Product data

Operating and Electrical	
Input Voltage	220 to 240 V
Line Frequency	50 to 60 Hz
Input Frequency	50 to 60 Hz
Inrush Current Width	0.33 ms
Inrush Current Peak (Max)	33 A
Number of Products on MCB (16A Type B) (Nom)	20
Wiring	
Cable Length From Device to Lamp	1.5 m
Connector Type	Insert
Temperature	
Ambient temperature range	-20 °C to 50 °C
T-Case Lifetime (Nom)	80 °C
T-Case Maximum (Max)	80 °C
Mechanical and Housing	
Housing	/S

Approval and Application	
Safety Standard	EN 61347-2-12
Environmental Standard	ISO 14001
Approval Marks	CE marking ENEC certificate
Product Data	
Order product name	HID-PV C 70 /S CDM 220-240V 50/60Hz NG
Full product name	HID-PV C 70 /S CDM 220-240V 50/60Hz NG
Full product code	872790085974400
Order code	913700652966
Material Nr. (12NC)	913700652966
Numerator - Quantity Per Pack	1
Net Weight (Piece)	0.216 kg
EAN/UPC - Product/Case	8711500881694
Numerator - Packs per outer box	12
EAN/UPC - Case	8727900859744

# PrimaVision Compact for CDM

## Dimensional drawing



Product	D1	C1	A1	A2	B1	B2
HID-PV C 70 /S CDM 220-240V 50/60Hz NG	4.9 mm	32.2 mm	109.6 mm	98.5 mm	74.4 mm	63.7 mm

