



# Actinic BL PL-L Secura

## PL-L 36W/10/4P SECURA 1CT/25

With an optimized spectrum matching the eye sensitivity of the housefly, Actinic BL PL-L Secura lamps are perfect for attracting insects. With the compact PL-L product format in a variety of wattages, new attractive designs are possible. Furthermore, these lamps have virtually no UV-B output, and so are perfectly safe. In addition, they have a special "Secura" sleeve that keeps all glass and components together in the case of accidental breakage. This eliminates the risk of glass splinters showering down on food preparation areas, for example. And that is why it meets the strict HACCP requirements. What's more, with the lowest mercury content in the industry and being 100% lead-free, these lamps represent a very good environmental choice.

### Warnings and Safety

- A lamp breaking is extremely unlikely to have any impact on your health. If a lamp breaks, ventilate the room for 30 minutes and remove the parts, preferably with gloves. Put them in a sealed plastic bag and take it to your local waste facilities for recycling. Do not use a vacuum cleaner.

### Product data

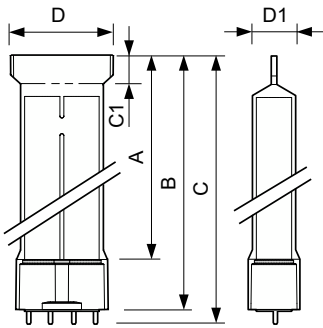
General Information		Operating and Electrical	
Cap-Base	2G11	Power Consumption	36 W
Life to 50% Failures (Nom)	10,000 hour(s)	Lamp Current (Nom)	0.440 A
Light Technical		Voltage (Nom)	108 V
Color Code	10	Mechanical and Housing	
Chromaticity Coordinate X (Nom)	228	Bulb Shape	2xT16
Chromaticity Coordinate Y (Nom)	215	Approval and Application	
UV Depreciation at 2000 h	20 %	Mercury (Hg) Content (Max)	2.0 mg
UV Depreciation at 5000 h	40 %		

# Actinic BL PL-L Secura

Mercury (Hg) Content (Nom)	2
<b>UV</b>	
UV-A Radiation 100Hr (IEC)	7.7 W
<b>Product Data</b>	
Order product name	PL-L 36W/10/4P SECURA 1CT/25
Full product name	PL-L 36W/10/4P SECURA 1CT/25
Full product code	871829119443900

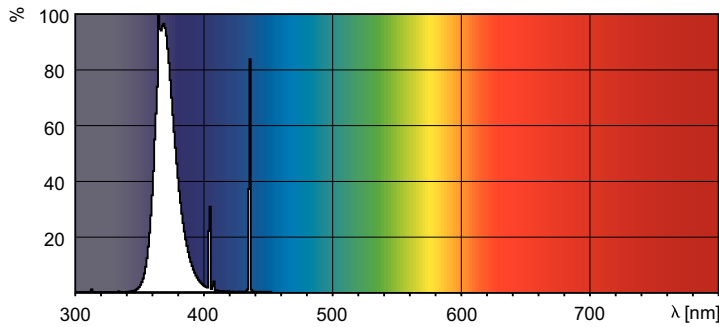
Order code	927909121001
Material Nr. (12NC)	927909121001
Numerator - Quantity Per Pack	1
Net Weight (Piece)	133.000 g
EAN/UPC - Product/Case	8718291194439
Numerator - Packs per outer box	25
EAN/UPC - Case	8718291194446

## Dimensional drawing



Product	D1 (max)	D (max)	C1	A (max)	B (max)	C (max)
PL-L 36W/10/4P SECURA 1CT/25	27 mm	40 mm	20.0 mm	404.2 mm	430.0 mm	436.6 mm

## Photometric data



Spectral Power Distribution Colour - PL-L 36W/10/4P SECURA 1CT/25

